



MU-1 SLD M

SPECIFICATIONS

Nominal Voltage (V) 12V

Nominal Capacity

| | |
|-----------------------------------|---------|
| 20 hour rate (1.75A to 10.50V) | 35Ah |
| 10 hour rate (3.325A to 10.50V) | 33.25Ah |
| 5 hour rate (5.95A to 10.20V) | 29.75Ah |
| 1C (35A to 9.60V) | 18.67Ah |
| 3C (105A to 9.60V) | 12.25Ah |

Weight Approx. 23.1Lbs. (10.5kg)

Internal Resistance (at 1KHz) Approx. 10 mΩ

Maximum Discharge Current for 5 seconds : 525A

Operating Temperature Range

| | |
|-----------|--------------------------------|
| Charge | -15°C (5°F) to 40°C (104°F) |
| Discharge | -15°C (5°F) to 50°C (122°F) |
| Storage | -15°C (5°F) to 40°C (104°F) |

Charge Retention (shelf life) at 20°C (68°F)

| | |
|----------|-----|
| 1 month | 92% |
| 3 months | 90% |
| 6 months | 80% |

Charging Methods at 25°C (77°F)

Cycle Use : Charging Voltage 14.4 to 15.0V
Coefficient -5.0mv / °C / cell
Maximum Charging Current : 10.5A

Standby Use : Float Charging Voltage 13.50 to 13.80V
Coefficient -3.0mv / °C / cell

Case Material : ABS
(Option : UL94 HB Flame Retardant Case Material)

Terminal : F4

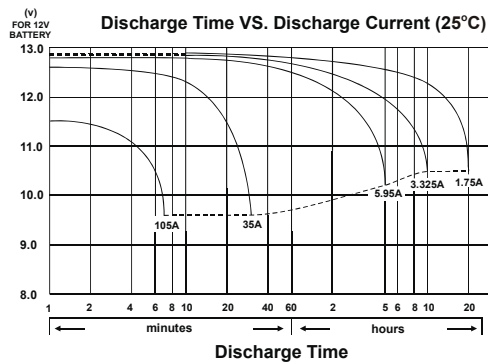
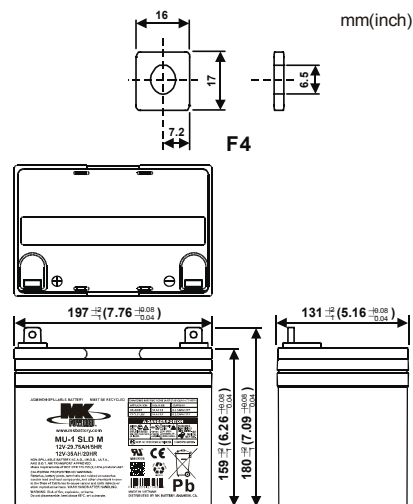
Terminal Hardware Torque Value :

| | |
|-------------------|-------------------|
| Recommended | 5.39 Nm (55kg-cm) |
| Maximum Allowable | 8.82 Nm (90kg-cm) |

Sealed Valve-Regulated Lead-Acid Battery



DIMENSIONS



MK Battery

1631 South Sinclair Street • Anaheim, California 92806

Toll Free: 800-372-9253 • Fax: 714-937-0818 • E-mail: sales@mkbattery.com

